



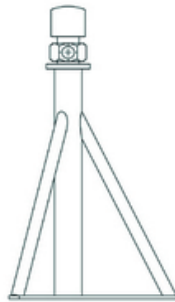
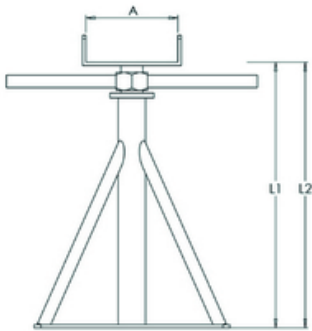
### Caravan Restraining Equipment

Electro-galvanized Equipment for supporting, securing and restraining Static Caravans and Mobile Homes.

#### Fabricated Axle Stand

Adjustable and designed to support and stabilise the caravan or mobile home, supplied with extra wide stirrup width to suit all types of mobile home or static caravan.

Finish: Electro-Galvanized

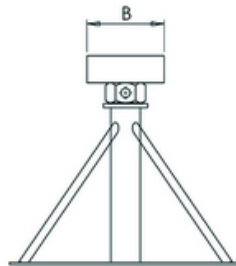
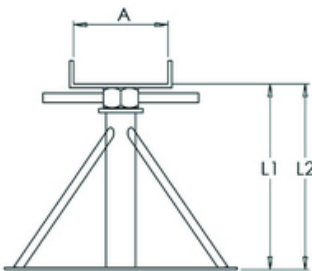


Part Code	Stand Size	Minimum Height L1 (mm)	Maximum Height L2 (mm)	A (mm)	Weight each (Kg)	Pallet Quantity	Box Quantity
S1001	Small	178	267	125	0.90	360	30
S1002	Medium	267	381	125	1.86	288	24
S1003	Large	381	470	125	2.77	180	20

#### Fabricated Primary Axle Stand

Heavy duty, adjustable and designed to support main axle of caravan as a safer option to concrete blocks.

Finish: Electro-Galvanized



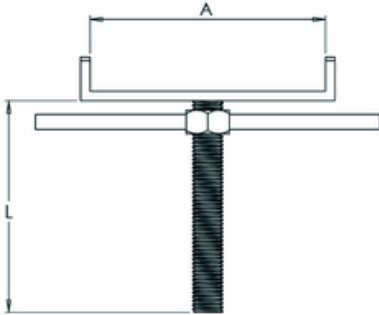
Part Code	Stand Size	Minimum Height L1 (mm)	Maximum Height L2 (mm)	A (mm)	B (mm)	Weight each (Kg)	Pallet Quantity	Box Quantity
S1004	Primary	240	381	125	100	5.5	64	8



### Axle Stand Tops

Replacement tops for our range of axle stands.

Finish: Electro-Galvanized



Part Code	To suit Stand Size	A (mm)	L (mm)	Weight each (Kg)	Box Quantity
S1001.T	Small	125	110	0.4	50
S1002.T	Medium	125	155	0.6	40
S1003.T	Large	125	205	0.8	20
S1004.T	Primary	125	210	2.3	20

### Grade 3 Long Link Chain

Used as a flexible method for securing and restraining all types of caravan and mobile homes. Chain can be supplied in varied lengths to customer's specific requirements.

Finish: Hot Dip Galvanized



Part Code	Chain Size (mm)	M.B.L. (t)	Weight per Metre (Kg)
2.070.042	7	1.9	0.89
2.080.052	8	2.0	1.10
2.095.050	9.5	4.0	1.65



### Commercial Dee Shackle - Screw Pin

Used as a quick and efficient method for connecting and securing the straining screw to the chain.

Finish: Electro-Galvanized

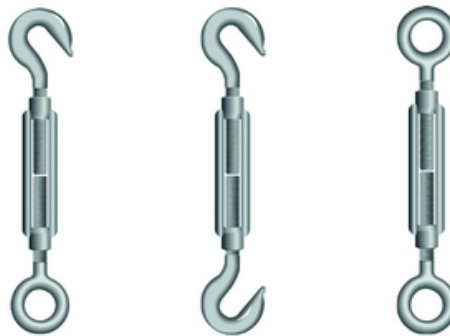


Part Code	Body (mm)	Pin (mm)	Weight per 100 (Kg)
202.01.08	8	8	5.5
202.01.10	10	10	10.0

### Commercial Pattern Straining Screw

Used to ensure optimum tension in chain to ensure stability of caravan or mobile home.

Finish: Electro-Galvanized



Part Code	Thread Size (mm)	Type	Weight each (Kg)
152.01.08	8	Hook / Hook	0.20
152.01.10	10	Hook / Hook	0.28
152.02.08	8	Eye / Eye	0.20
152.02.10	10	Eye / Eye	0.28
152.03.08	8	Hook / Eye	0.20
152.03.10	10	Hook / Eye	0.28