



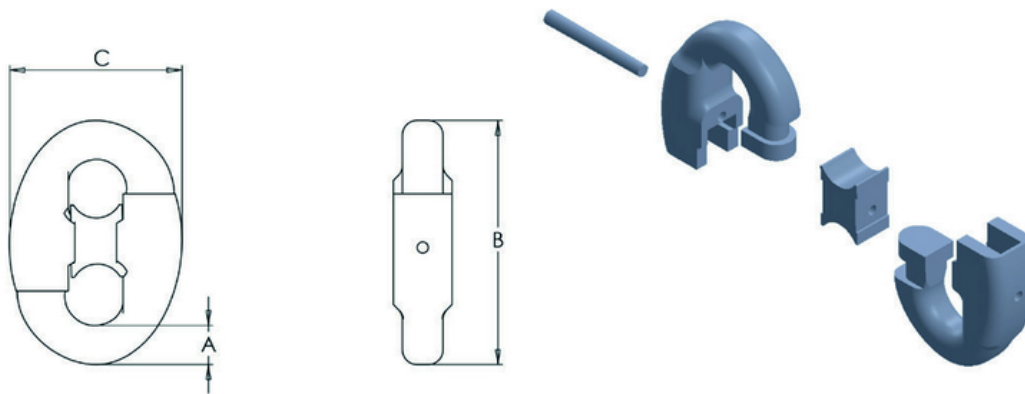
### Grade U2 - U3 Stud Link Anchor Chain - Kenter Joining Shackle

#### Grade U2 - U3 Kenter Joining Shackle

Kenter Joining Shackles are used as a means of connection of stud link anchor chain ending in a common link. Manufactured from heavy duty forged steel, the material and heat treatment should be the same as that of the stud link anchor chain that they are fitted to.

Classification: L.R.S; B.V; A.B.S. (other classification available upon request).

Chain diameter range: 14mm – 60mm, generally available in black bitumen coating, although hot dip galvanized finish is also available (larger sizes available upon request).



Part Code	Chain Size (mm)	A (mm)	B (mm)	C (mm)	Weight Each (Kg)
201.43.14	14	14	84	59	0.5
201.43.16	16	16	96	67	0.6
201.43.17.5	17.5	18	105	73	0.8
201.43.19	19	19	114	79	1.0
201.43.20.5	20.5	21	123	86	1.6
201.43.22	22	22	132	92	1.6
201.43.24	24	24	144	100	2.0
201.43.26	26	26	156	109	2.7
201.43.28	28	28	168	117	3.3
201.43.30	30	30	180	125	3.9
201.43.32	32	32	192	134	4.6
201.43.34	34	34	204	142	5.8
201.43.36	36	36	216	150	6.6
201.43.38	38	38	228	159	7.8
201.43.40	40	40	240	167	9.8
201.43.42	42	42	252	176	10.6
201.43.44	44	44	264	184	12.0
201.43.46	46	46	276	192	14.0
201.43.48	48	48	288	201	15.5
201.43.50	50	50	300	209	17.5
201.43.52	52	52	312	217	20.0
201.43.54	54	54	324	226	22.0
201.43.56	56	56	336	234	26.0
201.43.58	58	58	348	242	30.0
201.43.60	60	60	360	251	31.5