



Shackle - AISI 316L Stainless Steel - Safety Pin - Tested

Manufactured specifically for William Hackett, these load rated stainless steel Dee shackles are supplied in three different options, screw pin, safety pin and safety pin with captive locking pin (to captivate the shackle to another item of lifting equipment most commonly used in the utility / waste water sectors).

Load rated stainless steel shackles are predominantly used in areas of high corrosion, such as the water utility / chemical / oil & gas sectors as well as food processing plants.

AISI 316L Stainless Steel Safety Pin Dee Shackle C/w Captivating Locking Pin

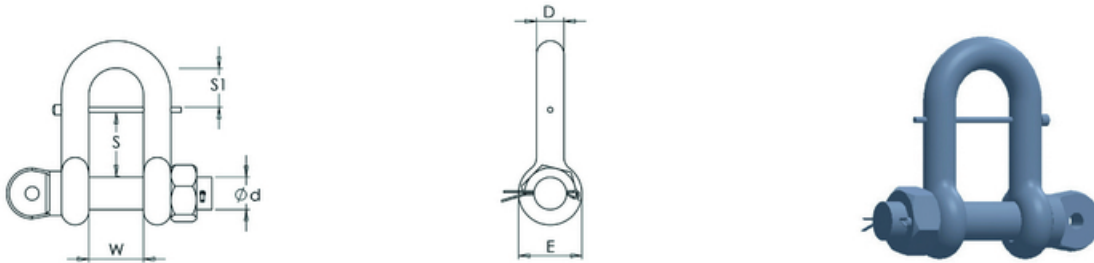
Material: AISI 316L Stainless Steel

Markings: W.L.L. - Size -

Batch Number - Material Grade

Test: Batch Tested and Certified

Finish: Polished



Part Code	W.L.L. (t)	D (mm)	d (mm)	W (mm)	S (mm)	S1 (mm)	E (mm)	Weight each (Kg)
201.46.10	1.00	9.5	12	20	25	15	27	0.25
201.46.16	2.00	16.0	19	32	40	22	40	0.75
201.46.20	3.20	19.0	22	38	45	28	46	1.12
201.46.22	5.00	22.0	25	44	55	29	52	1.67

AISI 316L Stainless Steel Safety Pin Dee Shackle

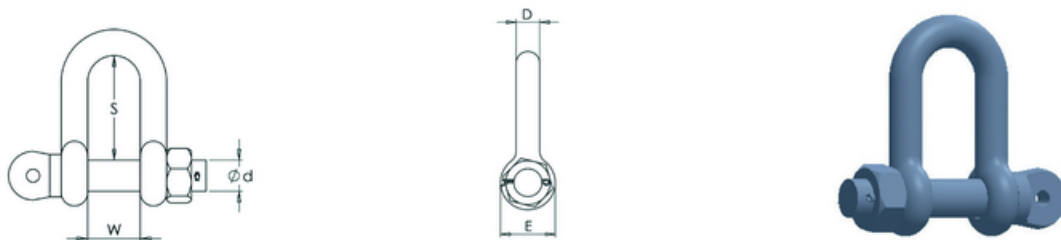
Material: AISI 316L Stainless Steel

Markings: W.L.L. - Size -

Batch Number - Material Grade

Test: Batch Tested and Certified

Finish: Polished

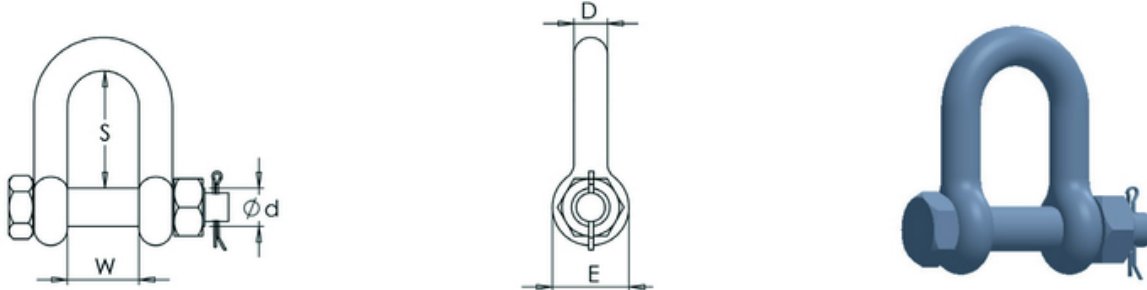


Part Code	W.L.L. (t)	D (mm)	d (mm)	W (mm)	S (mm)	E (mm)	Weight each (Kg)
201.47.10	1.00	9.5	12	20	42	27	0.25
201.47.16	2.00	16.0	20	32	65	40	0.75
201.47.20	3.20	19.0	22	38	77	46	1.12
201.47.22	5.00	22.0	25	44	88	52	1.67
201.47.25	6.30	25.0	28	53	105	58	2.50



AISI 316L Stainless Steel Safety Pin Dee Shackle

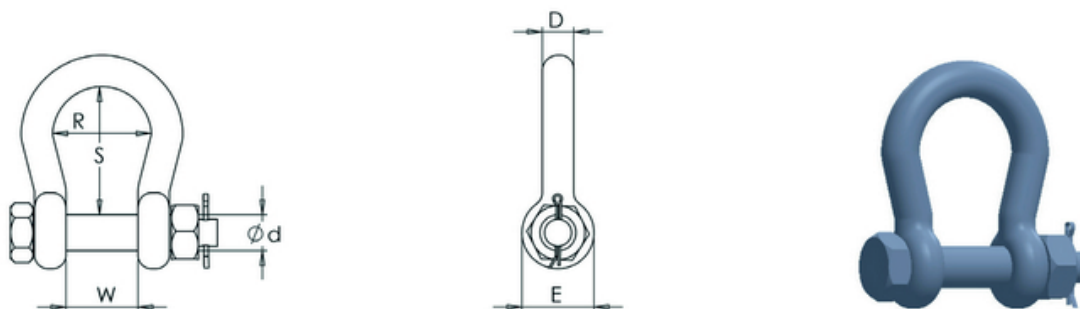
Material: AISI 316L Stainless Steel
 Markings: W.L.L. - Batch Number
 Test: Batch Tested and Certified
 Finish: Polished



Part Code	W.L.L. (t)	D (mm)	d (mm)	W (mm)	S (mm)	E (mm)	Weight each (Kg)
201.20.08	500 Kg	8.0	8	16	32	16	0.08
201.20.10	800 Kg	9.5	10	19	38	20	0.14
201.20.11	1.00	11.0	12	22	44	24	0.21
201.20.13	1.25	12.7	12	26	52	24	0.33
201.20.14	1.80	14.3	16	29	58	32	0.58
201.20.16	2.80	16.0	20	32	64	40	0.76
201.20.19	3.30	19.0	22	38	76	44	1.18
201.20.25	5.00	25.4	27	50	100	54	2.60

AISI 316L Stainless Steel Safety Pin Bow Shackle

Material: AISI 316L Stainless Steel
 Markings: W.L.L. - Batch Number
 Test: Batch Tested and Certified
 Finish: Polished



Part Code	W.L.L. (t)	D (mm)	d (mm)	W (mm)	R (mm)	S (mm)	E (mm)	Weight each (Kg)
201.21.10	600 Kg	9.5	10	19	28	38	20	0.15
201.21.11	800 Kg	11.0	12	22	33	46	24	0.22
201.21.13	1.00	12.7	12	26	38	52	24	0.35
201.21.14	1.50	14.3	16	29	43	60	32	0.64
201.21.16	2.50	16.0	20	32	50	68	40	0.81
201.21.19	3.00	19.0	22	38	58	76	44	1.25
201.21.22	4.00	22.0	24	44	66	88	48	1.82