



William Hackett Universal Beam Clamp

The William Hackett Universal Beam Clamp has been designed not only for vertical use, but also for side load applications, where conventional clamps are not suitable.

The Universal Beam Clamp is suitable for pulling and lifting at angles across the beam or as a semi-permanent anchor point.

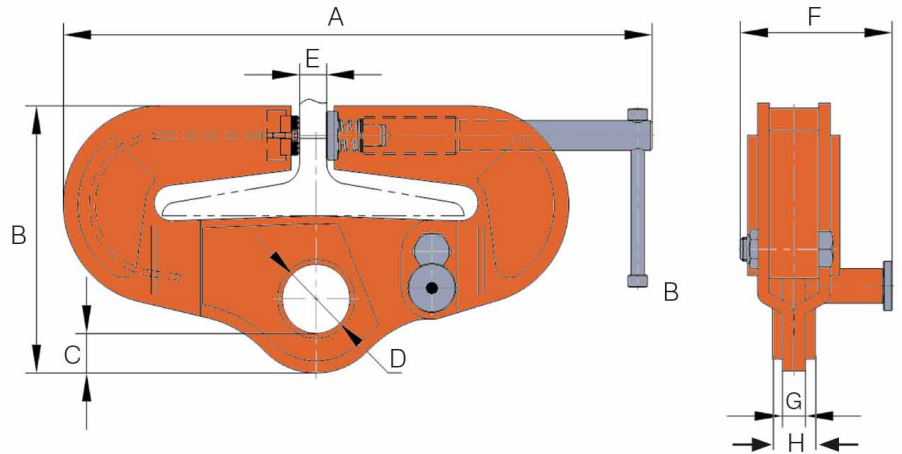
It can be loaded at any angle and eliminates the use of spreader beams in various lifting operations.

Fitted with adjustable locking mechanism, ensuring secure clamping to the beam.

Built in suspension point for low headroom design.

Lightweight design allowing for quick clamping and unclamping.

Capacities available 3.2t, 5.0t and 10.0t designed to accommodate a range of beam widths.



Part Code	WLL tonnes	A mm	B mm	C mm	D mm	E mm	F mm	G mm	H mm	Beam Thickness mm	Beam Width mm	Mass kg
028.320	3.20	550	237	28.0	Ø60	32	133	20	20	25.4	125-204	14.70
028.500	5.00	615	275	37.5	Ø75	32	157	24	44	25.4	125-305	28.30
028.1000	10.00	615	275	35.0	Ø80	32	225	44	44	25.4	125-305	37.80

