

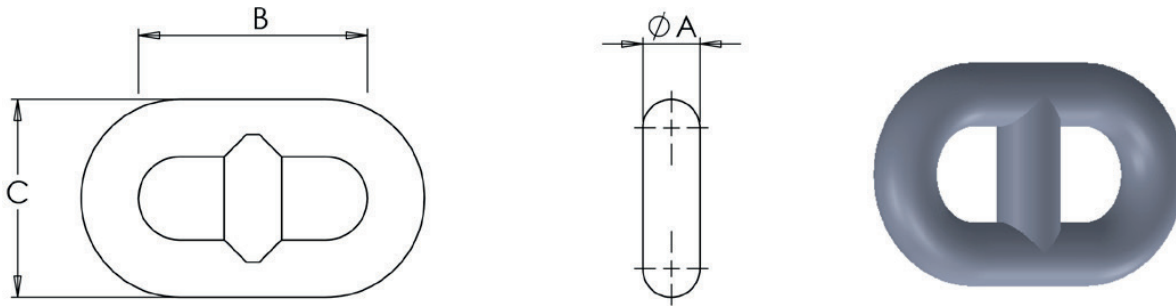


Grade U2 - U3 Stud Link Anchor Chain - Enlarged / End Links

Enlarged links and end links are used as intermediate links and end links for stud link anchor chain to enable the attachment of associated fittings such as forelock shackles and swivels. These are index sized to be compatible with each size of stud link anchor chain. The material and heat treatment should be the same as that of the stud link anchor chain that they are fitted to.

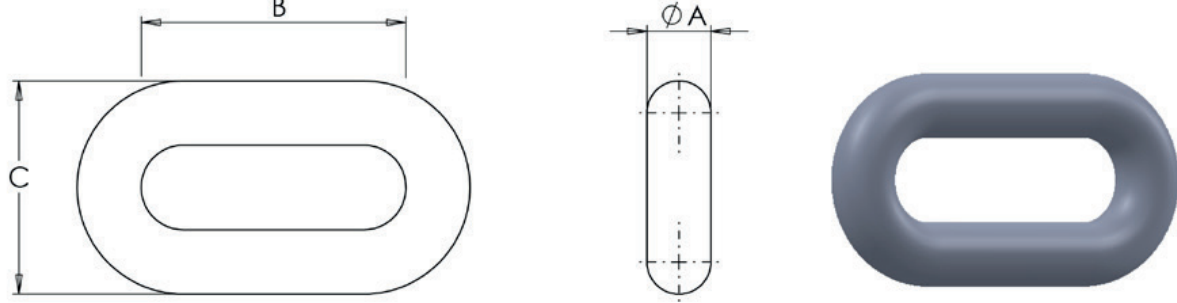
Classification: L.R.S; B.V; A.B.S. (other classification available upon request).

Chain diameter range: 14mm – 60mm, generally available in black bitumen coating, although hot dip galvanized finish is also available (larger sizes available upon request).



Enlarged Link

To Suit Part Code	Chain Size (mm)	A (mm)	B (mm)	C (mm)	Weight Each (Kg)
1.160.STUD	16	18	70	63	0.50
1.175.STUD	17.5	19	76	68	0.74
1.190.STUD	19	20.5	82	74	0.88
1.205.STUD	20.5	22	88	79	1.10
1.220.STUD	22	24	96	86	1.25
1.240.STUD	24	26	104	94	1.70
1.260.STUD	26	28	112	101	2.15
1.280.STUD	28	30	120	108	2.80
1.300.STUD	30	34	136	122	3.20
1.320.STUD	32	36	144	130	3.90
1.340.STUD	34	38	152	137	4.70
1.360.STUD	36	40	160	144	5.50
1.380.STUD	38	42	168	151	6.10
1.400.STUD	40	44	176	158	7.10
1.420.STUD	42	46	184	166	8.40
1.440.STUD	44	48	192	173	10.00
1.460.STUD	46	50	200	180	11.50
1.480.STUD	48	54	216	194	13.10
1.500.STUD	50	56	224	202	15.00
1.520.STUD	52	58	232	209	17.00
1.540.STUD	54	60	240	216	19.00
1.560.STUD	56	62	248	223	21.00
1.580.STUD	58	64	256	230	23.00
1.600.STUD	60	66	264	238	25.00



End Link

To Suit Part Code	Chain Size (mm)	A (mm)	B (mm)	C (mm)	Weight Each (Kg)
1.160.STUD	16	19	70	64	0.51
1.175.STUD	17.5	20.5	76	70	0.68
1.190.STUD	19	22	83	76	0.89
1.205.STUD	20.5	24	89	82	1.13
1.220.STUD	22	26	96	88	1.28
1.240.STUD	24	28	104	96	1.77
1.260.STUD	26	32	113	104	2.20
1.280.STUD	28	34	122	112	2.90
1.300.STUD	30	36	131	120	3.30
1.320.STUD	32	38	139	128	4.00
1.340.STUD	34	40	148	136	5.00
1.360.STUD	36	44	157	144	5.90
1.380.STUD	38	46	165	152	6.80
1.400.STUD	40	48	174	160	8.60
1.420.STUD	42	50	183	168	9.60
1.440.STUD	44	52	191	176	11.20
1.460.STUD	46	56	200	184	13.00
1.480.STUD	48	58	209	192	15.00
1.500.STUD	50	60	218	200	17.00
1.520.STUD	52	62	226	208	20.00
1.540.STUD	54	64	235	216	22.00
1.560.STUD	56	68	244	224	23.00
1.580.STUD	58	70	252	232	25.00
1.600.STUD	60	73	261	240	27.00



William Hackett

William Hackett Lifting Products Ltd Oak Drive, Lionheart Enterprise Park, Alnwick, Northumberland NE66 2EU
 Email: liftingsales@williamhackett.co.uk Tel: +44 (0)1665 604200 Fax: +44 (0)1665 604204

William Hackett Chain Products Ltd Maypole Fields, Cradley, Halesowen, West Midlands B63 2QE.
 Email: info@williamhackett.co.uk Tel: +44 (0)1384 569431 Fax: +44 (0)1384 639157

Web: www.williamhackett.co.uk



Better connected with William Hackett